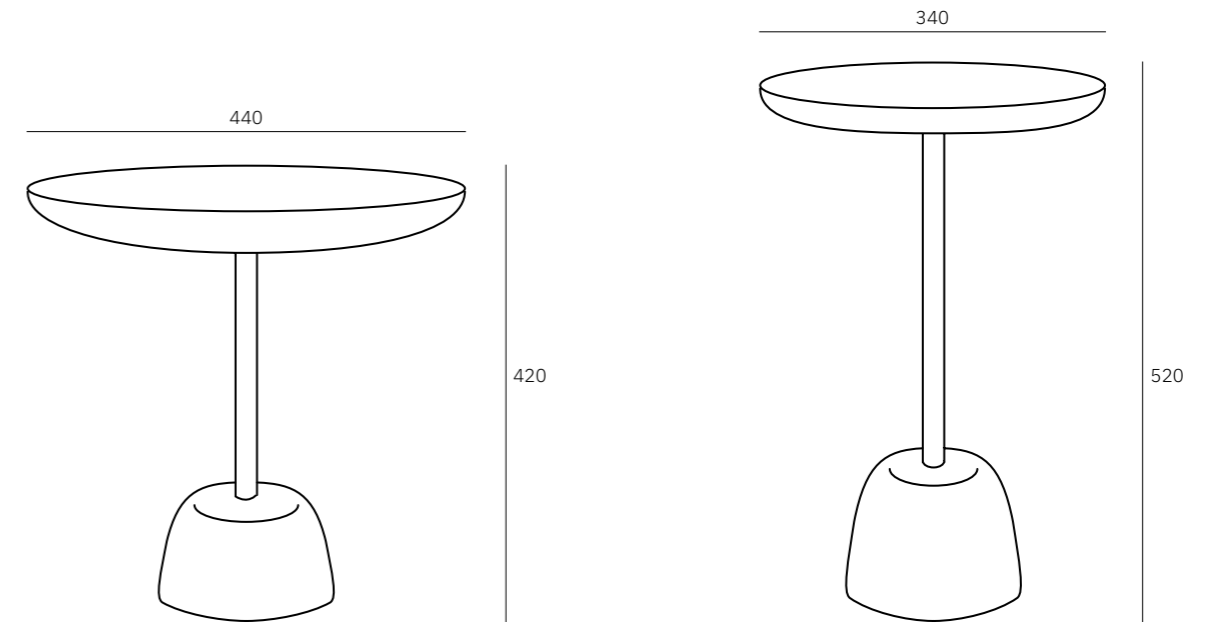


TABLE. DANCE. PARTY.

Sebastian Herkner's distinctively tall, skinny side table series pina is inspired by the abstract turns and twists of the famous Pina Bausch dance theatre. The basic figurine with base, rod and top shines in different combinations of transparent, green and light grey.



PRODUCT CHARACTERISTICS

The pina is a masterwork of traditional craftsmanship. Each table is handmade and has characteristic features such as irregularities in glass thickness, colour variations, small bubbles or bumps in the glass.

COLOURS & ART.NR

top	transparent	green	light grey
rod	brass	brass	brass
foot	transparent	green	light grey
low	8300TBRT	8300GRBRGR	8300GBRG
High	8301TBRT	8301GRBRGR	8301GBRG
top	transparent	green	light grey
rod	black	black	black
foot	transparent	green	light grey
low	8300TBT	8300GRBGR	8300GBG
High	8301TBT	8301GRBGR	8301GBG

YEAR OF DESIGN
2020

MATERIAL
glass; brass and steel

DIMENSIONS (mm)
low: Ø 440 x 420 H
high: Ø 340 x 520 H

ASSEMBLY REQUIRED
Yes.

* All color combinations available on request.

PINA LOW TABLE

Ø 440 x 420 H

PINA HIGH TABLE

Ø 340 x 520 H

CARE INSTRUCTIONS

Regular cleaning and maintenance is important in order to keep your pulpo product looking its best and to prolong its life. Always remove any kind of dirt as soon as possible. We recommend that you first test a small, invisible area to ensure that no colour change or damage arises to the product. Do not use materials for maintenance that contain abrasive agents or are basic, acid or organic.

METAL CLEANING

BRASS; STEEL POWDER COATED
For dusting and light cleaning of the base, use a soft and dry cloth. For further cleaning, gently wipe the surface with a soft cloth wrung in clean water and a neutral detergent or soap flakes of good quality. Dry immediately afterwards with a soft, dry and clean cloth. For the best maintenance of the product, care for it regularly, protect it against direct sunlight and heat, and try to keep it away from moisture, grease, and other dirt. Furthermore, protect the surfaces against sharp objects and other that might scratch.

GLASS CLEANING

For dusting and light cleaning of glass use a soft, dry cloth. For further cleaning gently wipe the surface with a soft cloth wrung in clean water and a non-abrasive commercial glass cleaner. Dry immediately afterwards with a soft, dry and clean cloth. Please note that bubbles, streaks and other variations in size and colour are part of the production process, and not defects of the design or production of handmade glass.