

RFH Armchair <sup>RD7</sup>

Robin Day

1951





H: 78cm / 31in  
Seat H: 46cm / 18in  
Armrest H: 66cm / 26in

W: 58cm / 23in, D: 51.5cm / 20in  
Seat D: 41.5cm / 16in

# RFH Armchair <sup>RD7</sup>

## Robin Day

### 1951

#### Product description

Armchair

#### Environment

Indoor

#### Material

Walnut and beech veneer, powder-coated steel tubing and steel rod, foam. This product has not been treated with any biocides.

#### Production process

The frame is CNC bent, welded together and powder-coated black. The back is made from layers of walnut and beech veneer which are form-pressed and cut to shape using a CNC machine. The seat is made from layers of beech veneer glued together and upholstered foam.

#### Variants

Black & Hallingdal 103, Black & Hallingdal 227

#### Dimensions

H: 78cm / 31in, W: 58cm / 23in,  
D: 51.5cm / 20in, Seat H: 46cm / 18in,  
Armrest H: 66cm / 26in, Seat D: 41.5cm / 16 in

#### Packaging dimensions

H: 82cm / 32in, W: 60.5cm / 24in,  
D: 55.5cm / 22in

#### Weight

7,5kg / incl. packaging: 12kg

#### Gliders

Plastic gliders installed as standard. Felt gliders available upon request

#### Colli quantity

1

#### Certifications



FSC® Mix 70%

#### Impact

1. Made using FSC® certified wood, supporting responsible management of the world's forests.
2. Designed for disassembly, enabling easier repair, renovation and replacement of parts.

#### Manufacturer

Produced in Poland by Trioline

#### COM - Material consumption

Fabric usage: 1.18m based on a 140cm roll  
Leather usage: 2.5m<sup>2</sup>

#### Cleaning instructions

Please download our Material Care & Cleaning instructions through [www.andtradition.com](http://www.andtradition.com)

#### → Stock items

Black/Hallingdal 103, Black/Hallingdal 227



→ Black & Hallingdal 103



→ Black & Hallingdal 227

&Tradition®



H: 78cm / 31in  
Seat H: 46cm / 18in  
Armrest H: 66cm / 26in

W: 58cm / 23in, D: 51.5cm / 20in  
Seat D: 41.5cm / 16in

# Recycling & Disassembly

RFH Armchair <sup>RD7</sup>

## RECYLING

The RFH Armchair is built to last, and we hope that your Betty will serve you for many years. The RFH Armchair is made from solid wood and wood veneer, and can be easily separated from its base. All metal and wooden parts can be separated and delivered to a suitable recycling station.

## SPARE PARTS

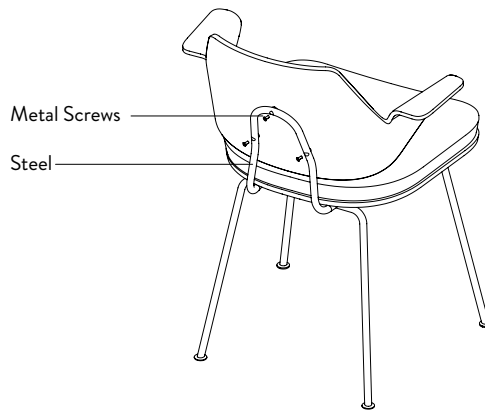
To purchase spare parts for your RFH Armchair, please write to our sales support team at [info@andtradition.com](mailto:info@andtradition.com) with your query.

## 5 YEAR WARRANTY

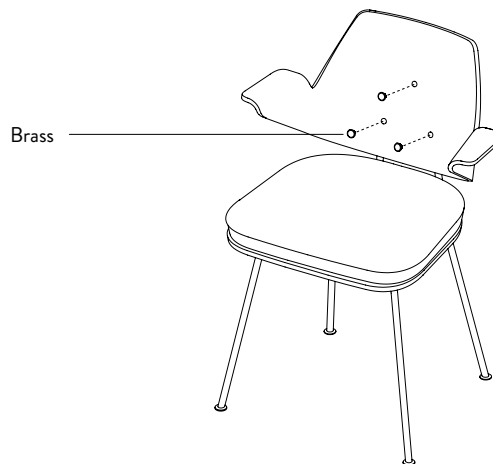
&Tradition provides a 5-year warranty with every RFH Armchair, which covers faults which were present at the time of purchase, or which have occurred as a result of a manufacturing defect. The warranty is valid from the date stated on the original invoice.

## DISASSEMBLY

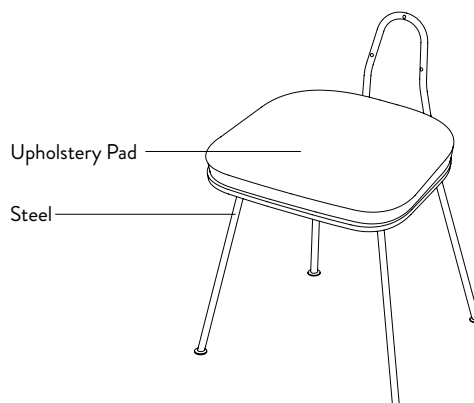
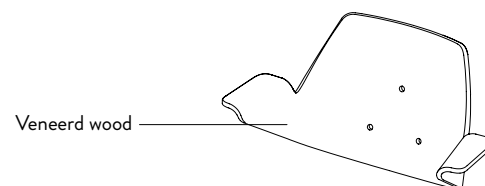
1. Screw counterclockwise to loosen the backrest from the frame.



2. Now you can pull out the brass caps.



3. Now you can remove the backrest.



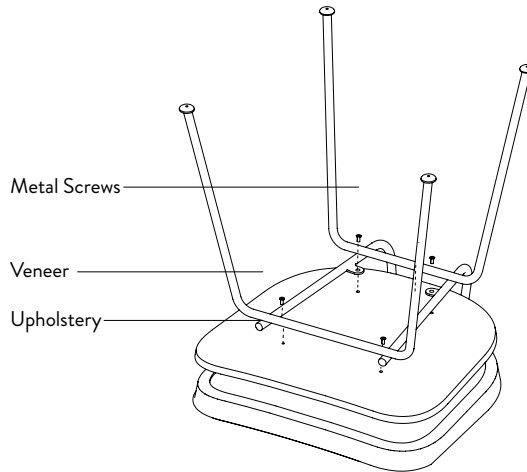
# Recycling & Disassembly

RFH Armchair <sup>RD7</sup>

---

## DISASSEMBLY

3. Screw counterclockwise to loosen and divide the turn joint.



4. Remove the gliders

